

Technical data sheet



Product features

Cooking range gas 2x burner ECO without cabinet

Model	SAP Code	00110103
--------------	-----------------	----------



- Device type: Gas unit
- Power consumption of the zone 1 [kW]: 1x burner 3.5 kW
- Power consumption of the zone 2 [kW]: 1x burner 6 kW
- Protection of controls: IPX4
- Material: AISI 304 top plate, AISI 430 cladding

SAP Code	00110103	Power gas [kW]	9.500
Net Width [mm]	400	Type of gas	Natural gas, propane butane
Net Depth [mm]	700	Number of zones	2
Net Height [mm]	330	Power consumption of the zone 1 [kW]	1x burner 3.5 kW
Net Weight [kg]	25.00	Power consumption of the zone 2 [kW]	1x burner 6 kW

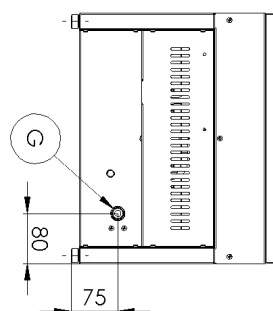
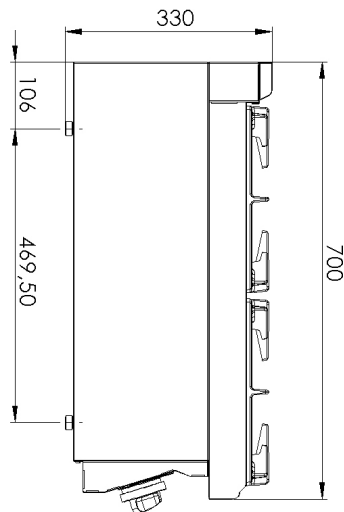
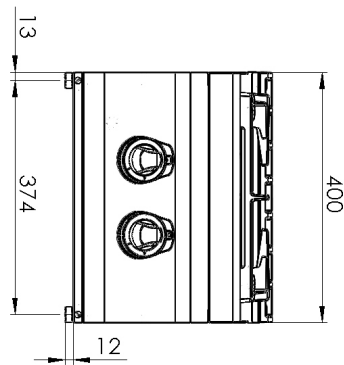
Technical data sheet



Technical drawing

Cooking range gas 2x burner ECO without cabinet

Model	SAP Code	00110103
--------------	-----------------	----------



Cooking range gas 2x burner ECO without cabinet

Model	SAP Code	00110103
-------	----------	----------

1

Massive construction of burners

- high performance and efficiency
- cast iron burners removable
- long life
 - energy saving (perfect combustion)
 - time saving for food preparation
 - easy maintenance/cleaning

2

Hygienic moldings of the top plate

- absence of sharp corners and edges (potential places where dirt could stick)
- smooth transitions
 - easy quick cleaning

3

Degree of protection of the control elements IPX4

- maintenance-free system
- resistance to splash water
- long life
 - savings on service interventions
 - easy cleaning and maintenance of equipment

4

All-stainless design

- long life
- resistance of a ground steel plate with a thickness of 10 mm
 - savings on service interventions
 - higher corrosion resistance

5

Safety element – thermocouple

- safe operation for personnel
- there is no overheating and damage to the thallus
- long life
 - savings on service interventions
 - easier and faster operation

6

Cooking unit for use on a table or on a base

- variable use
- the possibility of placement in smaller spaces
 - easy handling
 - cost savings on substructure

Technical data sheet



Technical parameters

Cooking range gas 2x burner ECO without cabinet

Model

SAP Code

00110103

1. SAP Code:

00110103

2. Net Width [mm]:

400

3. Net Depth [mm]:

700

4. Net Height [mm]:

330

5. Net Weight [kg]:

25.00

6. Gross Width [mm]:

440

7. Gross depth [mm]:

800

8. Gross Height [mm]:

390

9. Gross Weight [kg]:

30.00

10. Device type:

Gas unit

11. Construction type of device:

Table top

12. Power gas [kW]:

9.500

13. Type of gas:

Natural gas, propane butane

14. Protection of controls:

IPX4

15. Material:

AISI 304 top plate, AISI 430 cladding

16. Worktop type:

Molded - comfortable cleaning maintenance

17. Worktop material:

AISI 304

18. Worktop Thickness [mm]:

1.20

19. Number of zones:

2

20. Power consumption of the zone 1 [kW]:

1x burner 3.5 kW

21. Power consumption of the zone 2 [kW]:

1x burner 6 kW

22. Grid material:

Cast iron

23. Service accessibility:

Trough the frontal panel

24. Safety thermocouple:

Yes

25. Adjustable feet:

Yes

26. Number of burners/hot plates:

2

27. Type of gas cooking zones:

Cast iron burners

28. Burner type:

Cast iron, detachable, with internal and external combustion

Technical data sheet



Technical parameters

Cooking range gas 2x burner ECO without cabinet

Model	SAP Code	
		00110103

29. Connection to a ball valve:

1/2